

# Stoney Point Machine

---



## Disc Mower Caddy

SPM 5400

SPM 5410

SPM 5415

## Operator's Manual

&

## Parts Manual

467298 Highway 51, Stilwell, OK | Phone: 918-696-6090 | Fax: 918-696-3106  
[stonepointmachine@gmail.com](mailto:stonepointmachine@gmail.com) | [www.stoneypointmachine.com](http://www.stoneypointmachine.com)



ATTENTION  
BECOME  
ALERT!

## OPERATING SAFETY

- To prevent possible injury to bystanders or the operator, this caddy is not intended for roadside or municipal use. The caddy is intended for agricultural use only?
- Always shut off tractor engine, disengage PTO, shift to park position (or shift to neutral), set brakes and allow machine to completely stop before dismounting tractor or working around the machine.
- Remove tractor start key when tractor and implement will be unattended.
- Do not attempt to lubricate or adjust while machine is in operation.
- Machinery operation should be performed only by persons who are responsible and delegated to do so.
- Only the operator should be permitted on the tractor (unless tractor has a factory installed passenger seat) when tractor and caddy are moving. Never permit anyone to ride on the caddy.
- Wear personal protective equipment (PPE) such as, but not limited to, protection for eyes, lungs, ears, head, hands and feet when operation, servicing or repairing equipment.
- Be sure bystanders are clear before operating tractor or machine.
- Disengage tractor PTO before starting engine.
- Do not leave tractor or implement unattended with tractor engine running.
- Never attempt to operate the caddy unless sitting in the driver's seat with seat belt attached.
- Keep all guards and shields in place when machine is in operation.
- Do not stand near the machine while it is running
- Use extreme care when operating on hillsides or near ditches and fences.



**ATTENTION  
BECOME  
ALERT!**

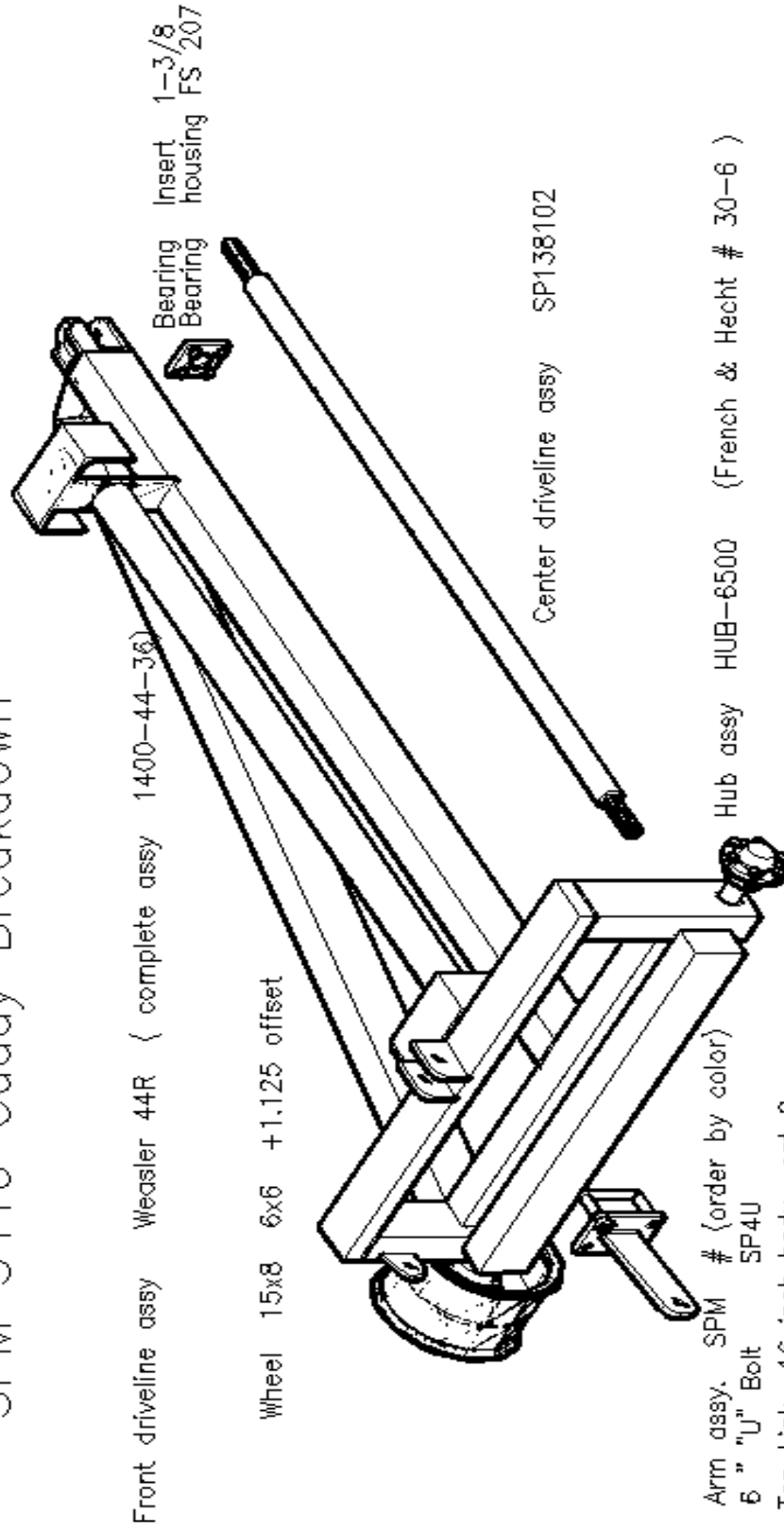
## **OPERATING SAFETY**

- Do not stand between tractor and caddy when tractor engine is running.
- Regulate ground speed to field conditions, and maintain control at all times.
- Do not allow children to ride on, play on, or operate equipment. Always keep children away from equipment operating, servicing, and storage areas.
- Be sure tractor is in safe operating condition, and has adequate braking capabilities.
- Avoid wearing loose-fitting clothing and tie up long hair that can be caught in moving parts.
- This caddy must be used on a tractor with a fully enclosed ROPS cab and seat belt. Close the cab windows and use the seat belt during operation.
- Ensure that all safety shields, including the tractor master PTO shield, are in place and properly secured. Check the drive line shields to insure free rotation and telescoping.
- Detach and store mower where children do not normally play.

Stoney Point Machine always take operator safety into consideration and guards exposed moving parts for operator protection. However, some areas cannot be guarded or shielded in order to assure proper operations. In addition, the operator's manual and decals on the machine itself warn you of further danger and should be read and observed closely.

**STUDY THE SAFETY RULES  
BE ALERT  
YOUR SAFETY IS INVOLVED**

# SPM 5410 Caddy Breakdown



Front driveline assy Weasler 44R ( complete assy 1400-44-36)

Wheel 15x8 6x6 +1.125 offset

Center driveline assy SP138102

Arm assy. SPM # (order by color)  
 6 "U" Bolt SP4U

Top Link 16 inch body cat 2  
 Lift Cylinder 3x8 asme 20 .25 inch closed  
 Hydraulic hose 157 inch 1/2 male pipe fitting

Hub assy HUB-6500 (French & Hecht # 30-6 )

Inner Cone LM 29749  
 Inner Cup LM 29710  
 Outer Cone LM 67048  
 Outer Cup LM 67010  
 Seal CR 17617

Bearing  
 Bearing  
 Insert housing FS 207  
 Insert 1-3/8

# MOUNTING THE CADDY TO THE TRACTOR

1. Attach the tongue/pull hitch to the tractor's drawbar.
2. Attach the PTO shaft to the caddy and to the tractor's 540 RPM PTO, making sure that these connections are very secure.
3. Check the PTO shaft with the tractor and caddy at it's most closed position, the shaft should never be completely compressed. There should be at least 1" safety margin at this point.
4. Many PTO shafts become damaged due to tight turns while in transport as well as extreme working angles.
5. Connect the hydraulic hose for lowering and raising the mower to a single or double acting valve on the tractor.
6. Check for proper assembly and adjustment and make sure that all bolts are tightened. Securely re-tighten after a few hours of operation as bolts can loosen on new machinery. Check wheel bolts upon delivery and periodically thereafter. Wheel bolts should be tightened at 85-95 ft/lbs torque.
7. Check tires and inflate to recommended pressure.
8. Lubricate the machine completely.

## ATTACHING THE MOWER TO THE CADDY

1. Position mower to allow clearance outside of wheel.
2. Attach the lift arms and re-tighten the clamping bolts
3. Attach upper link and adjust for proper mowing angles (follow mower manufacturers guidelines)
4. Adjust the ratchet jack to place the mower at the recommended working height (NOTE: if your mower requires a 3 pt lift cylinder, use of cylinder stops will be required)
5. Connect hydraulic hose and check for proper operation
6. Attach the mower driveline to the PTO

## TRANSPORT

**Follow all manufacturers recommended instructions**

## OPERATION

Ground speed may be determined by many factors, the density and humidity of the forage and the composition or type of forage to be worked.

## PARKING

Always lower the mower to working position before unhooking from the tractor

## SOME HELPFUL HINTS AND REMINDERS

- Always operate this machine with the greatest care taken for safety for you and bystanders.
- Regularly check bolts for tightness, especially during the first few hours of use.
- Regularly check eccentric lock collar on drive line, especially during the first few hours of use.
- **REGULARLY LUBRICATE DRIVELINE SLIDE**
- **NEVER PERFORM MAINTENANCE OR ADJUSTMENTS TO MACHINE WHILE THE TRACTOR IS RUNNING**